

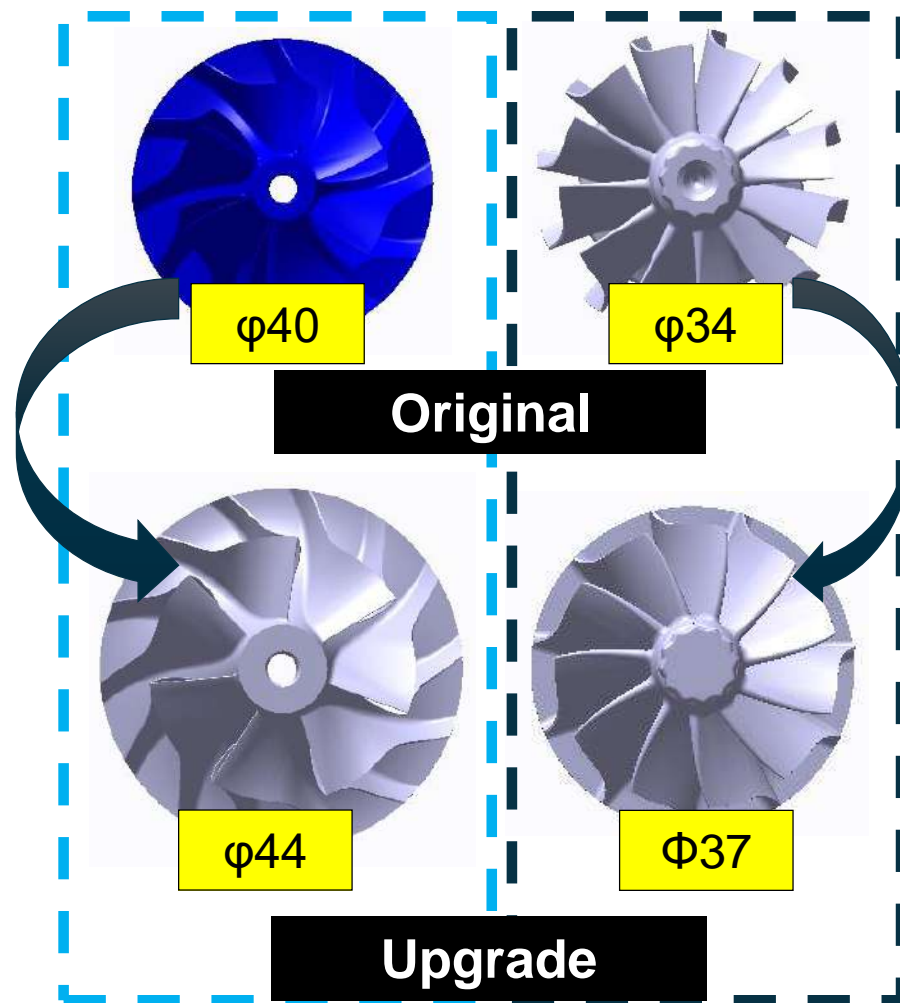
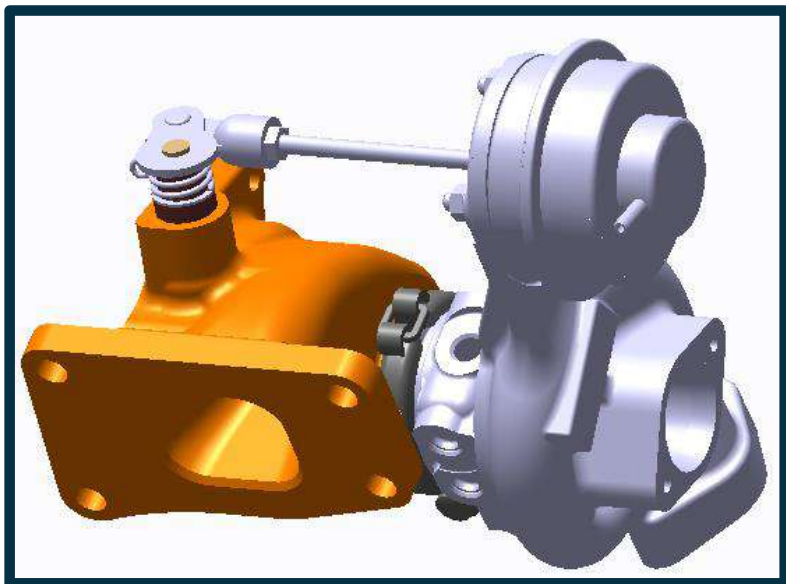
Introduction for SUZUKI SWIFT SPORT

Upgrade Turbo



2021/3/23

1. Upgrade concept



**Compressor
Wheel**



**Turbine
Wheel**

Increase the flow capacity by changing the compressor and turbine wheel

2. Turbo spec. comparison

	Upgrade (SWIFT SPORTS)	Original (SWIFT SPORTS)
Part Number	49S73-A0000	49172-04020
Turbo Spec	TD025LL1b-03*09HE1T-3.4	TD02L11-025*075WDS-3.4
Compressor Inducer	34.6 mm	31 mm
Compressor Exducer	44 mm	40 mm
Turbine Exducer	34 mm	28.9 mm
Turbine Inducer	37 mm	34 mm
Engine output (Estimated)	200PS/5500rpm <TARGET>	150PS/5500rpm

3. Compressor map comparison

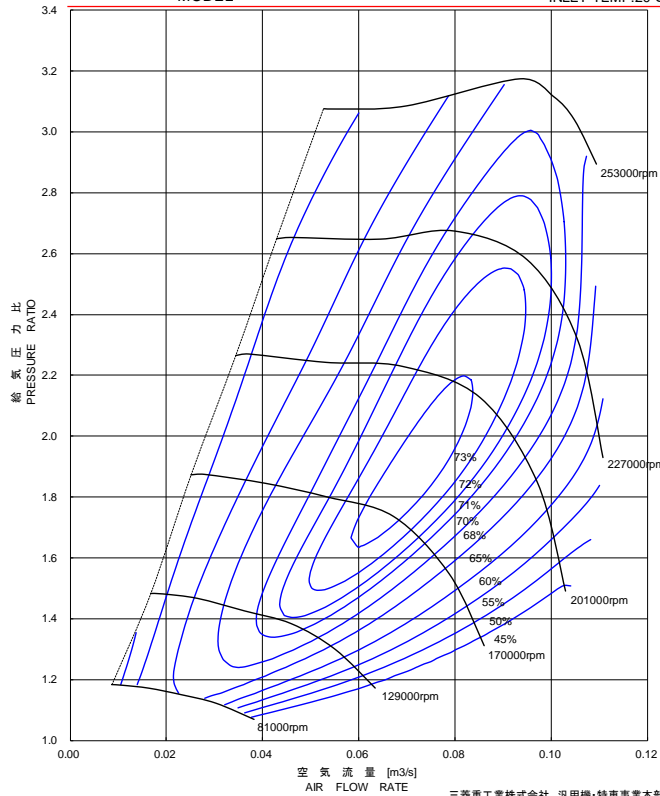
Original

三菱ターボチャージャ標準コンプレッサ性能曲線
STANDARD COMPRESSOR PERFORMANCE

N

S-759
吸入空気20°C
INLET TEMP.20°C

型式 TD025-075WDS
MODEL

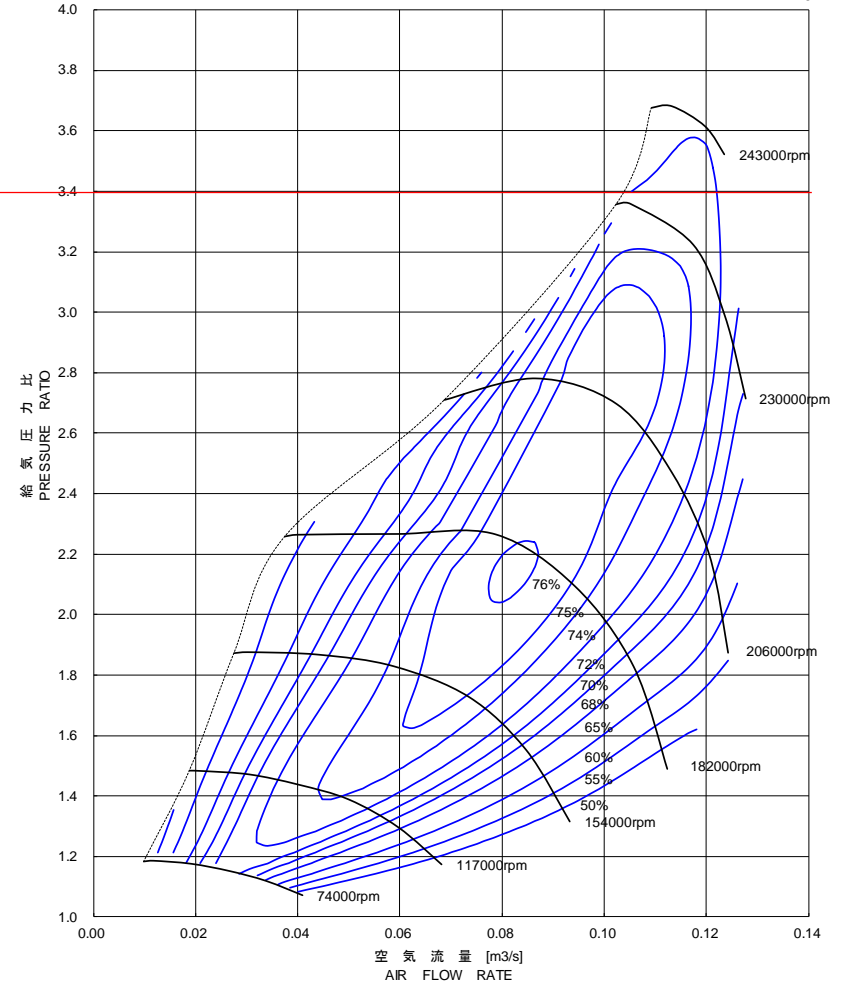


三菱重工株式会社 汎用機・特車事業本部
MITSUBISHI HEAVY INDUSTRIES,LTD.

Upgrade

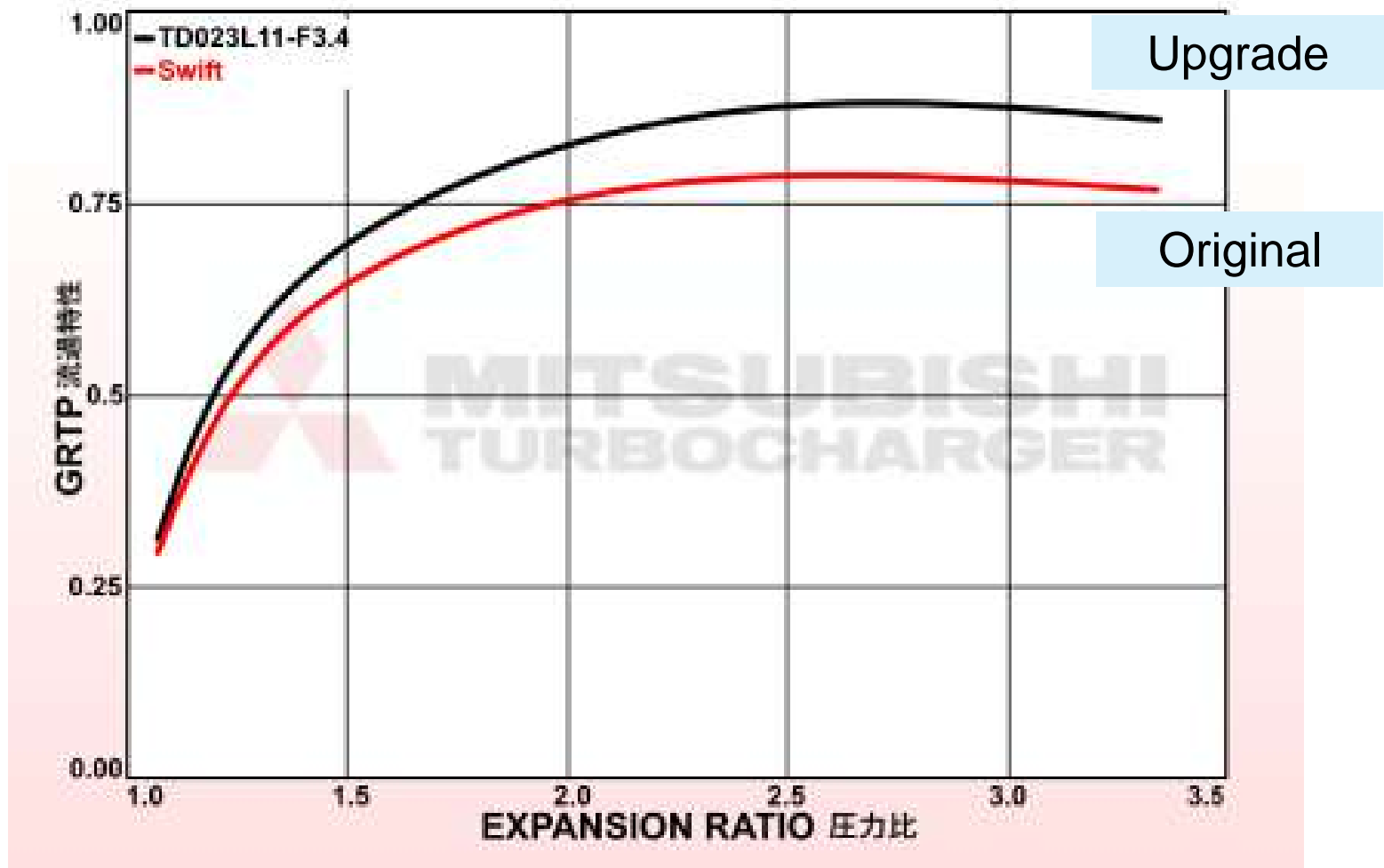
型式 TD03-09HE1T
MODEL

S-658
吸入空気20°C
INLET TEMP.20°C



三菱重工エンジン&ターボチャージャ株式会社

4. Turbine map comparison



MOVE THE WORLD FORWARD

**MITSUBISHI
HEAVY
INDUSTRIES
GROUP**